



EoL

END OF
LINE

145SS ORBITAL SERVO SIDE SEAL WRAPPER



Provides maximum reliability, ease of use, and minimum maintenance requirements

The new 145SS is Texwrap's latest design advance for applications requiring the high speed wrapping of packages where a side seal is desired.

The 145SS retains all the hallmarks of design and proven reliability that the market has come to expect from Texwrap - all in a brand new compact size. The Texwrap patented servo orbital head combined with the 200 feet per minute conveyor speed make it the fastest wrapper of its kind.

Simplicity and ease-of-use were paramount in the 145SS design. The controls are easily accessible and intuitive to use. When combined with the color touchscreen controls on the swivel panel, the easy access sliding doors, and the easy-mount-easy-thread film carriage, this machine gives new meaning to the term "operator-friendly".

FEATURES AND BENEFITS

- Laser-cut, heavy steel-frame construction with durable powder-coat finish
- Heavy-duty end seal carriage construction allows higher speeds and virtually eliminates maintenance
- Patented servo orbital seal head
- Texwrap's exclusive Versa Seal side seal self automatically compensates for speed changes
- Variable speed exit conveyor relaxes bridged film at cross seal for stronger seals with less film
- ANSI-compliant interlocked guarding package
- Variable-speed, VFD inverter-duty AC motors
- Powered film delivery system; maximum 24" centerfolded film
- Left-to-right flow is standard
- Center-line wrapper

TYPICAL PRODUCT SPECIFICATIONS

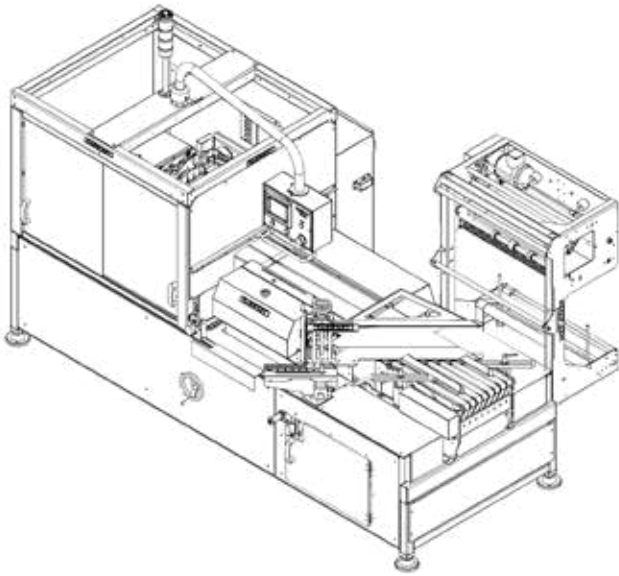
Max. Package Size	14"W x 4.5"H
Min. Package Size	4"L x 5"W
Max. Film Width	24" centerfolded film
Electrical Requirements	240/208V, 40 Amp, 3 phase
Air Requirements	None

Conveyor Height	Adjustable from 33" to 38"
Conveyor Width	14"W
Max. Film/Belt Speed	200 FPM
Machine Controls	Allen Bradley Compact Logix PLC
Control Panel	Easy-access swivel-mounted

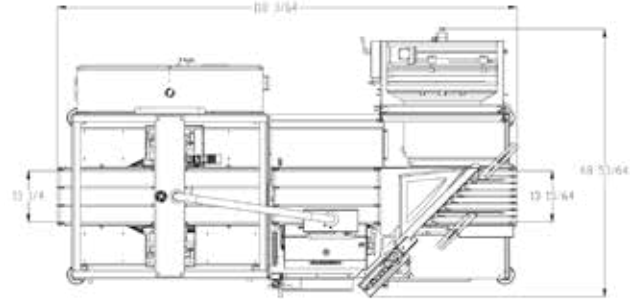
* Specifications on all machines subject to change without notice. Some information may have been updated since the time of publication.

CONFIGURATION

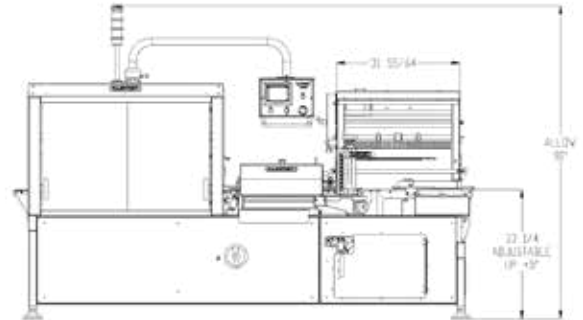
Multiview



Top View



Front View



MORE ABOUT THE 145SS

The design of the 145SS will appeal equally to the maintenance department. We eliminated any requirement for shop air by substituting servo drives and we provided easy access to the wrapping area by allowing the sliding operator doors to lift out completely.

From true Generation 3 servo design to solid 24/7 construction, the Texwrap 145SS provides maximum reliability, ease of use, and minimum maintenance requirements resulting in the lowest total cost of ownership available on the market today.