



EoL  
END OF LINE

## 3322 AUTO-MAILER



### Optimal solution for high-volume e-commerce businesses

The e-commerce industry is evolving faster than ever. For e-commerce business owners, those possibilities are only available if packaging and shipping is done with precision. Factors to consider range from customer experience and damage reduction to packaging performance and operational throughput.

The Texwrap 3322 Auto-Mailer is the optimal solution for high-volume e-commerce businesses with their ready-to-ship mail packages that effectively save on costs, labor, and time. With its advanced features, this Texwrap system can minimize material usage and maximize efficiency for your end-of-line mailer fulfillment.

The number one advantage to using mailers instead of cases is reducing your freight costs by minimizing dimensional weight. Texwrap's 3322 Auto-Mailer is the ideal solution to any e-commerce business with high production volumes.

#### FEATURES AND BENEFITS

- Ability to accommodate a wide range of product sizes
- Speeds of up to 20 mailers per minute save on both labor and time
- Advanced photo eyes that accurately measure the product dimensions to create the perfectly sized mailer every time
- Saves on manual packing labor costs
- Significant savings vs pre-made bags
- By minimizing the amount of packaging used, dimensional weight freight costs are reduced

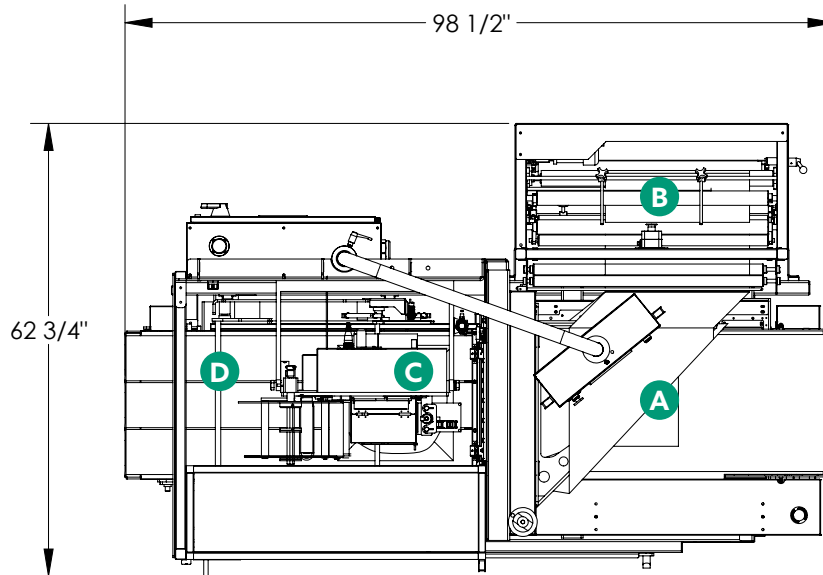


LABELS WITH BAR CODES & ADDRESS AUTOMATICALLY APPLIED

**TYPICAL PRODUCT SPECIFICATIONS**

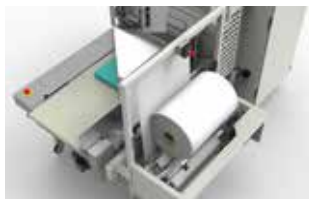
<b>Maximum Package Size</b>	6"H x 19"W x 28"L	<b>Air Requirements</b>	80 PSI
<b>Minimum Package Size</b>	4"L x 2"W	<b>Machine Controls</b>	Allen Bradley
<b>Maximum Film Width</b>	32" centerfolded	<b>Maximum Film Speed</b>	100 feet per minute
<b>Electrical Requirements</b>	240/208 Vac, 1 phase, 25 amps	<b>Operator Control Panel</b>	Swivel mounted HMI allows the operator to access touchscreen from both sides of the wrapper
<b>Conveyor Height</b>	Adjustable from 32.5" to 38.5"		

**PRODUCT OPERATION**



**A. PRODUCT INFEED AREA**

Random packages are accepted in the infeed area. As the packages arrive, the bar code is scanned and the address information is sent to the ID Technology print and apply labeler



**B. FILM REPLACEMENT AREA**

A new roll is easily placed in the low load, ergonomically friendly film cradle. Optional, low film warning with light tower is available.



**C. LABELER AND END SEAL**

The package stops on the exit conveyor of the wrapper where the proper bag size is sealed and the address label is automatically printed & applied.



**D. EXIT CONVEYOR**

When the sealing cycle is complete, the exit conveyor transfers the finished package out of the wrapper.