

INV DAIRY INDUSTRY SERIES

TEKKRA

SHRINK WRAPPING/BUNDLING SYSTEMS

Rotary Inverter



FEATURES & BENEFITS

- Compact/heavy duty, stainless steel, tubular frame design
- Quick change product tooling heads
- Maximum maintenance accessibility throughout
- Quick/accurate changeovers utilizing digital readouts/scales
- Allen Bradley PLC/Operator interface assures user friendly, reliable operation
- Servo driven rotary turret
- Cylindrical bearings deliver faster and smoother rotations
- Nema 4x electrical package
- Stainless steel mesh metal framed guard doors



For small tapered cups, larger sized round cups, tubs and ice cream scrounds

525 Vossbrink Dr.
Washington, MO 63090

636-239-7424
800-886-7421

sales@Tekkra.com
www.Tekkra.com

powered by Pro Mach 

INV DAIRY INDUSTRY SERIES

TEKKRA

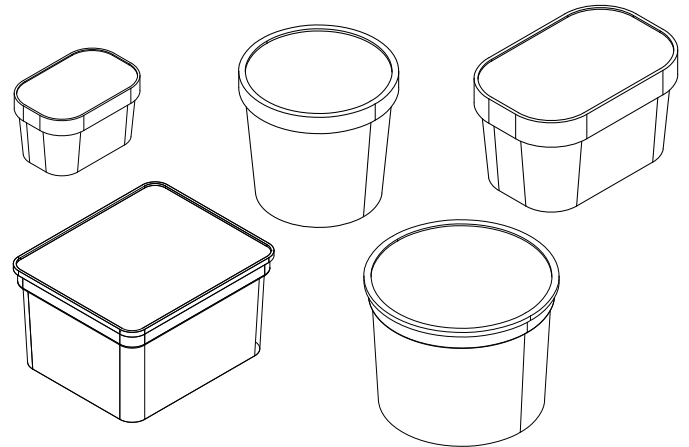
SHRINK WRAPPING/BUNDLING SYSTEMS

SUITABLE FOR WASHDOWN ENVIRONMENT

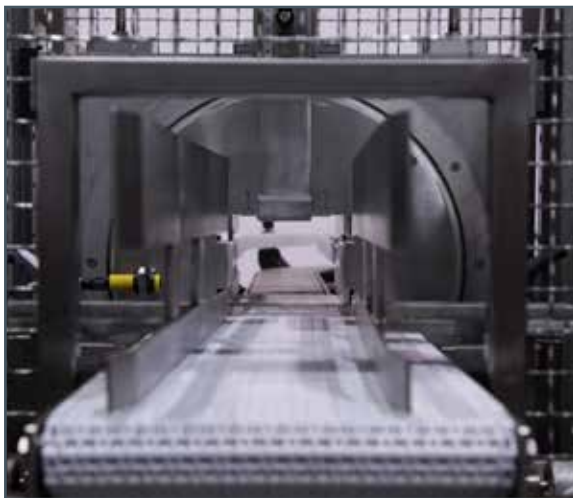
Rotary Inverter



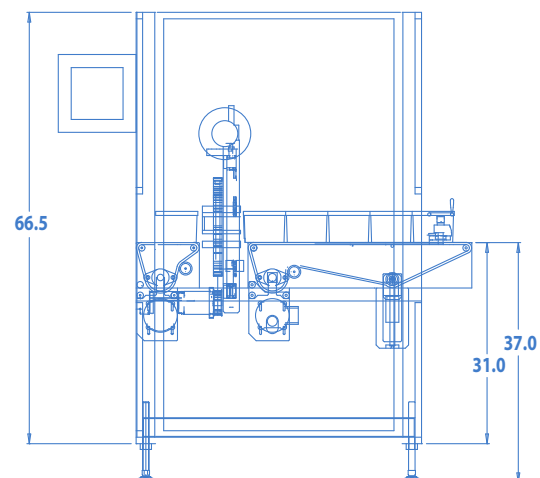
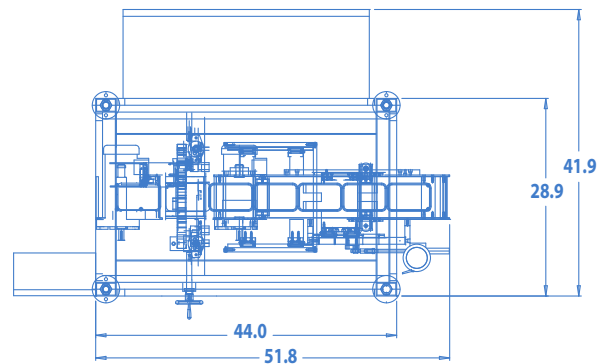
Quick Changeover Assemblies



MACHINE DRAWINGS



Rotary Turret Infeed



Options

- Extended infeed/discharge conveyors
- Flexible electrical panel/HMI locations
- Spare parts kit

Machine dimensions are based on product size and speed requirements. Specifications are subject to change due to continuous efforts made for product improvement.