

TRIAD

by **TEKKRA**

ENTRY LEVEL SHRINK WRAPPER & BUNDLER

Great solution for **warehouses**, **contract packagers** and **repack rooms** with lower volume operations

Modular Infeed

Cost Effective Solution Options

TRIAD-I



Powered Inline
Belt to belt conveyor

TRIAD-M



Manual Pusher
Load station with palm buttons

TRIAD-S



Powered Side Infeed
Right angle conveyor with pneumatic pusher



Features & Benefits

- Economical intermittent motion shrink wrapping
- Compact/heavy duty frame design with industrial finish
- Ergonomic/quick change film cradles
- PLC/HMI operator interface assures user friendly, reliable operation
- Top and bottom single 14" roll film feeds
- 50" high efficiency heat tunnel

Applications

- Food
- Building Materials
- Personal Care
- Pharmaceutical
- Industrial
- Dairy / Ice Cream
- Beverage / Juice

Options

- Product hold down
- Product cooling fan
- Machine casters
- Spare parts kit

TRIAD

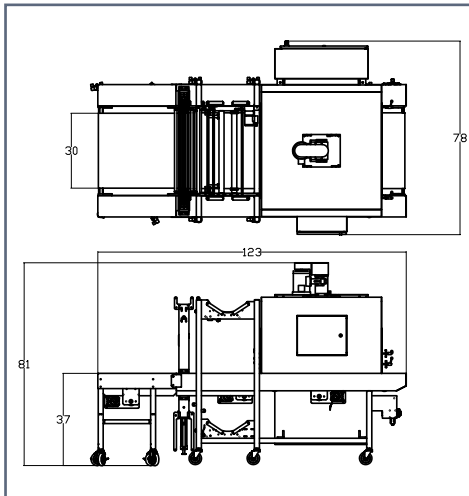
by **TEKKRA**

Bull's Eye Closure



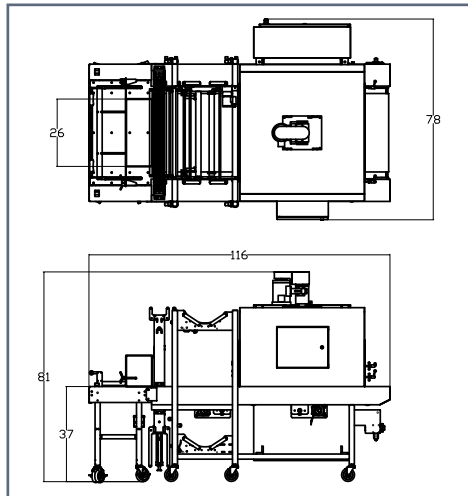
TRIAD-I

Powered Inline



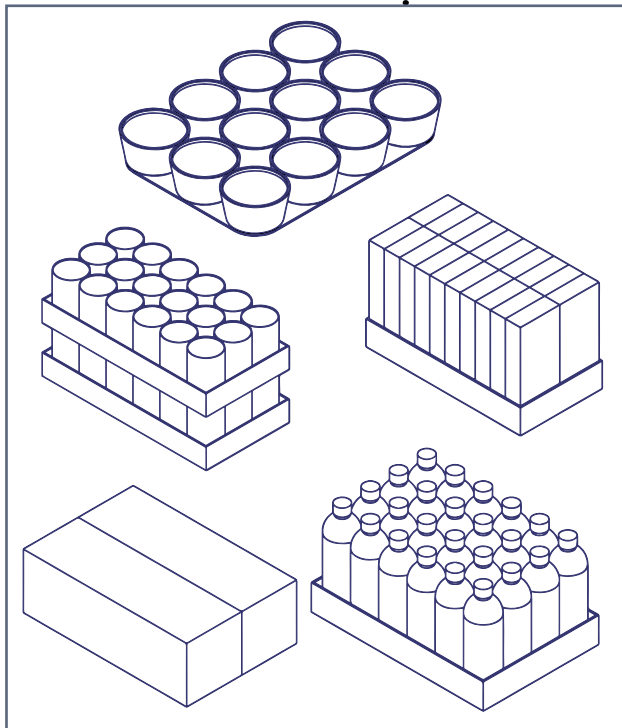
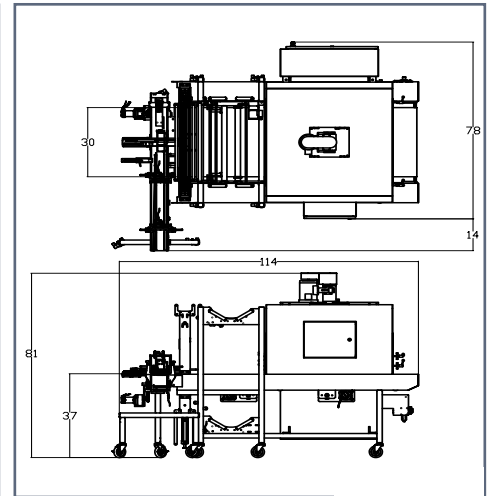
TRIAD-M

Manual Pusher



TRIAD-S

Powered Side Infeed



525 Vossbrink Dr.
Washington, MO 63090

636-239-7424
800-886-7421

sales@Tekkra.com
www.Tekkra.com

Machine dimensions are based on product size and speed requirements. Specifications are subject to change due to continuous efforts made for product improvement.